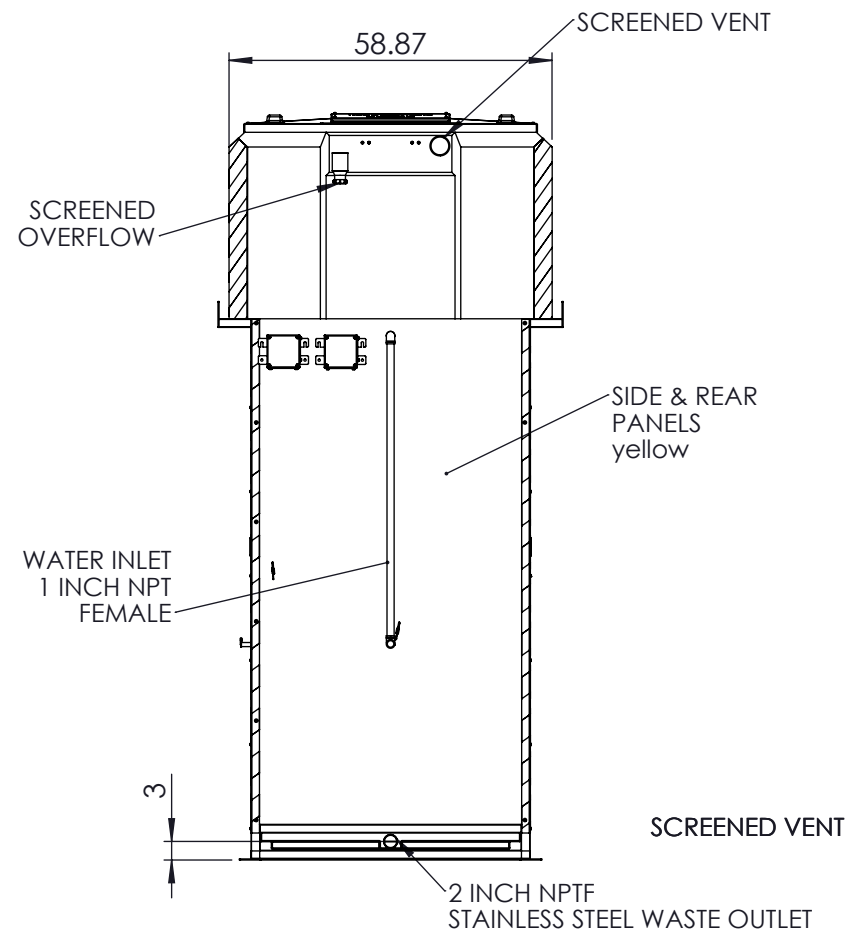
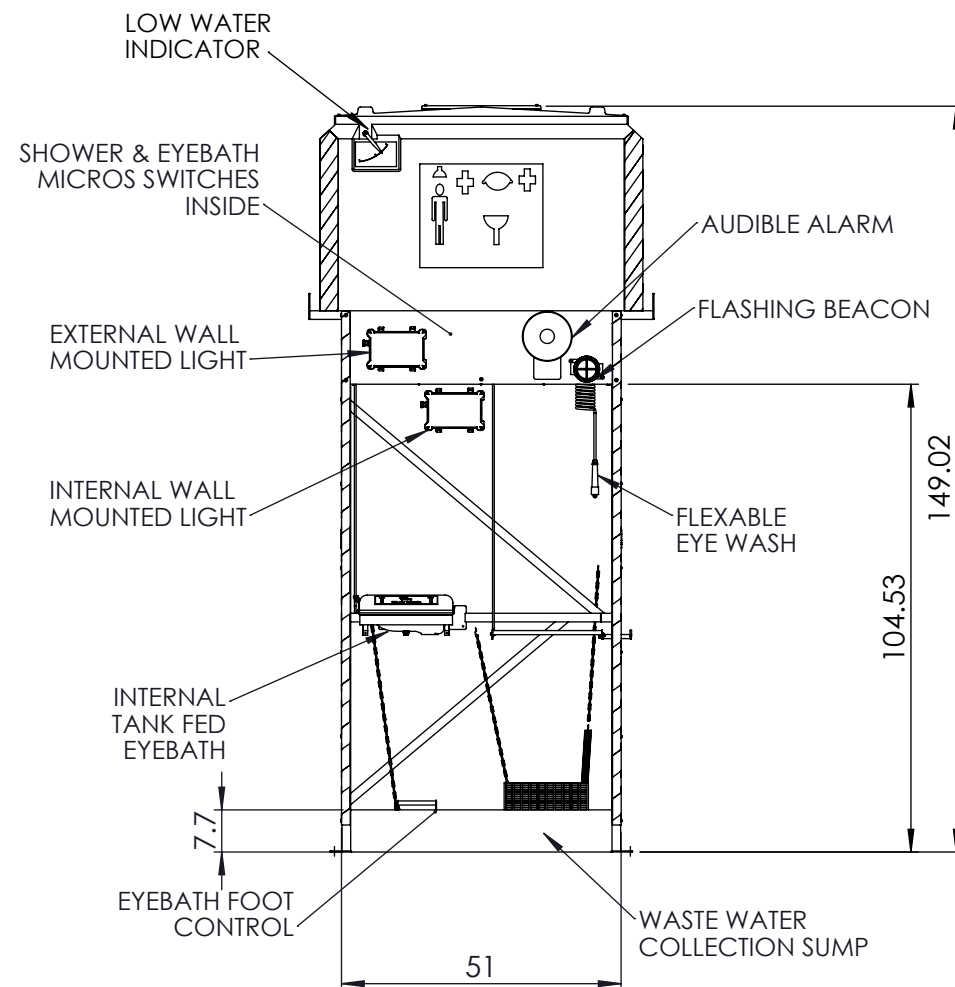


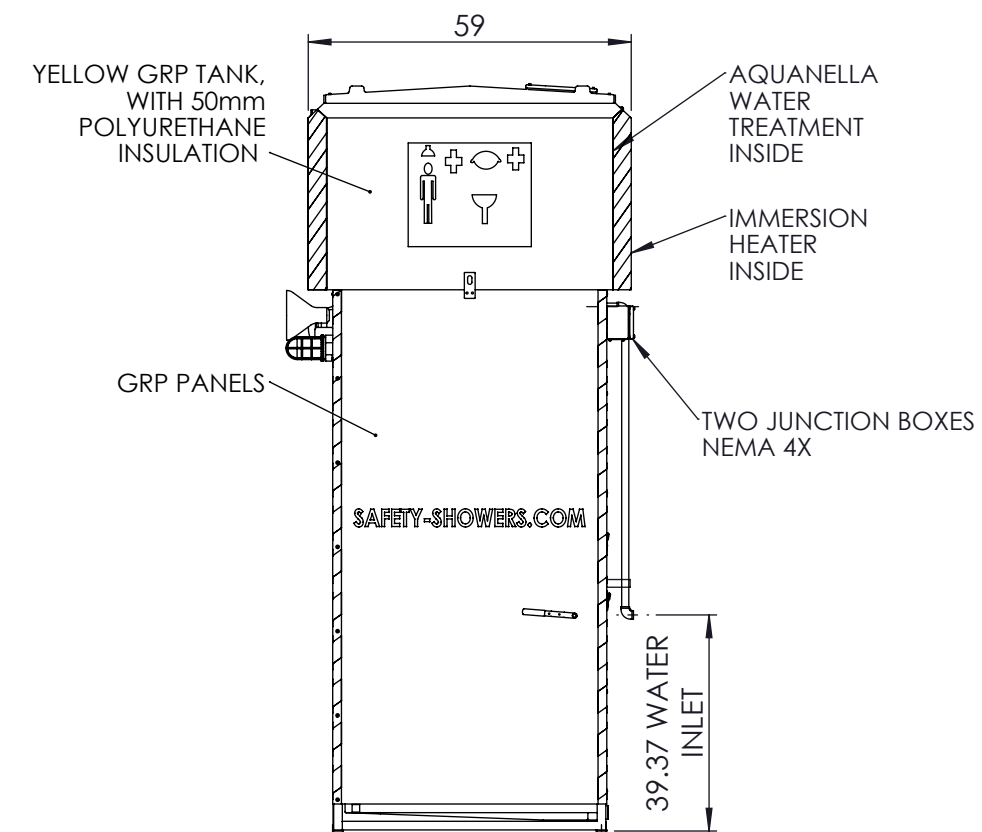
REAR VIEW



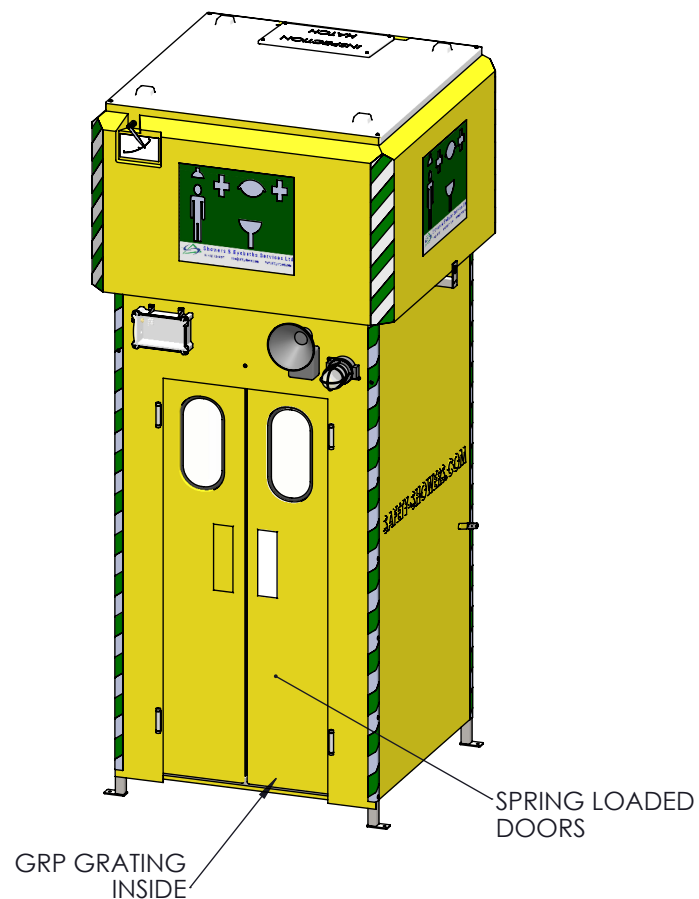
FRONT VIEW



SIDE VIEW



ISOMETRIC VIEW



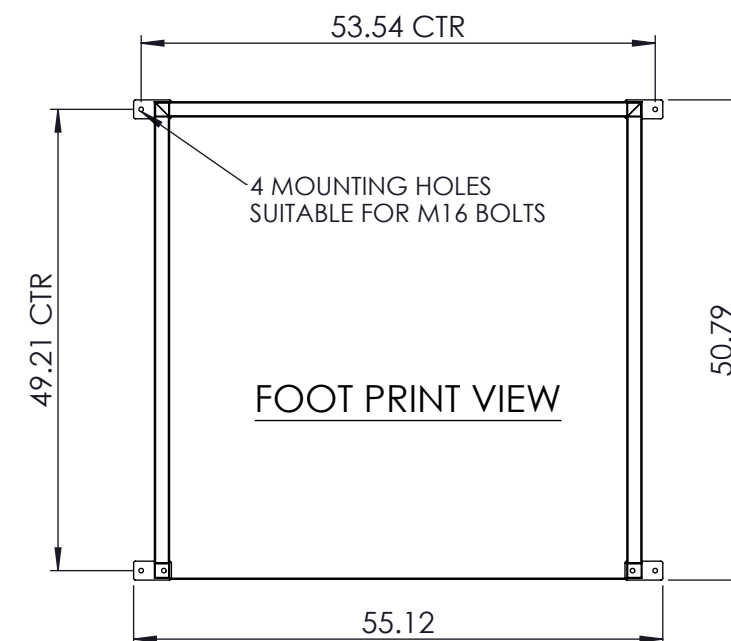
KEY FEATURES

YELLOW 1500L PREINSULATED, SEALED TANK TWIN BALL FLOAT VALVES FOR QUICK FILLING, KIT FITTED FOR MINIMUM RISK OF LEGIONELLA, STAINLESS STEEL PANIC BAR FOR EXTRA SECURITY STAINLESS TESTING LEVER OVERHEAD ROSE MEETS THE 1999 WHOLESOME WATER REGULATIONS, MEETS ANSI Z358.1-2009

TECHNICAL DETAILS

WATER SUPPLY 2-10 BAR
 FLOW RATE 75LPM
 INLET 1" N.P.T
 WEIGHT 300Kg

GFTS 1500L TANK SHOWER MANUFACTURED FROM GLASS REINFORCED PLASTIC AND STAINLESS STEEL WHICH ARE CORROSION RESISTANT MATERIALS, GIVING A LONG AND SUITABILITY FOR OUTSIDE USE. DESIGNED TO BE HIGHLY VISIBLE FOR EASE OF IDENTIFICATION AND WORK FIRST TIME EVERYTIME.



MEASUREMENTS IN IMPERIAL

| | | | | | | |
|---|---------------------|------------|-------------------|----------------------|--|--|
| Description : | | | | | GFTS 1500 TANK SHOWER WITH INTERNAL TANK FED EYEBATH | |
| Date 12/08/2011 | Rev Date 03/12/2012 | Rev B | Drg No. 6759-01 C | | | |
| Sheet 1 of 1 | A3 | Scale 1:30 | Weight | Do not scale drawing | | |
| PROPRIETARY AND CONFIDENTIAL | | | | | | |
| <small>THE INFORMATION CONTAINED IN THIS DRAWING IS THE SOLE PROPERTY OF SHOWERS & EYEBATHS SERVICES LTD. ANY REPRODUCTION IN PART OR AS A WHOLE WITHOUT THE WRITTEN PERMISSION OF Showers & Eyebaths services LTD IS PROHIBITED.</small> | | | | | | |
| <small>Doc No. F 14 (A0)/Issue No. 1/Issue Date. 01/06/2007</small> | | | | | | |

ATS ShieldSafe™
 COMPLY • PROTECT • INNOVATE

ALPINE TECHNICAL SERVICES
 Midvale, UT 84047
800.747.9953
 ATSShieldSafe.com