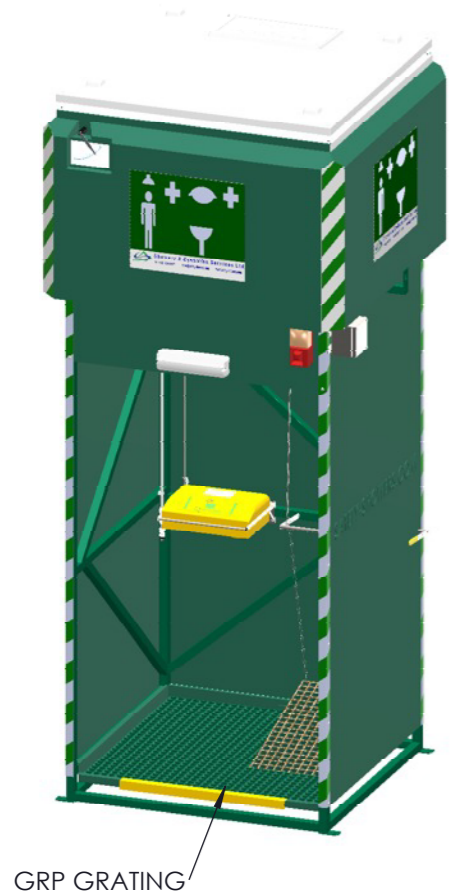


ISOMETRIC VIEW



OTHER OPTIONAL EXTRAS BE FITTED

- INTERNAL LIGHT
- STRIP CURTAIN
- SPRING LOADED DOORS
- VARIOUS ALARMS
- FLEXIBLE HAND HELD EYEWASH
- EYEBATH FITTED EXTERNALLY

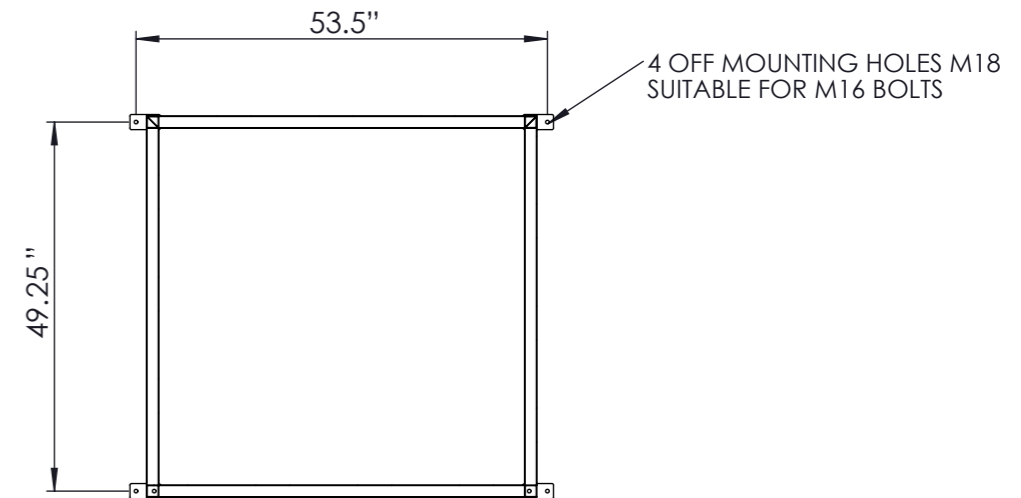
KEY FEATURES

GREEN 1200 1500 PREINSULTATED, SEALED TANK TWIN BALL FLOAT VALVES FOR QUICK FILLING, KIT FITTED FOR MINIMUM RISK OF LEGIONELLA, STAINLESS STEEL PANIC BAR FOR ADDITIONAL SAFETY. STAINLESS TESTING LEVER OVERHEAD ROSE MEETS THE 1999 WHOLESOME WATER REGULATIONS, MEETS ANSI Z358.12009

TECHNICAL DETAILS

WATER SUPPLY 2-10 BAR
 FLOW RATE 75LPM
 INLET 1" NPT
 WEIGHT 250Kg

GFTS TANK 1200-1500 SHOWER MANUFACTURED FROM GLASS REINFORCED PLASTIC AND STAINLESS STEEL WHICH ARE CORROSION RESISTANT MATERIALS, GIVING A LONG AND SUITABILITY FOR OUTSIDE USE. DESIGNED TO BE HIGHLY VISIBLE FOR EASE OF IDENTIFICATION AND WORK FIRST TIME EVERYTIME.



**SECTION EE
SCALE 1 : 25**

Description :				
GFTS 1200 1500 TANK SHOWER WITH EXTERNAL TANK FED EYEBATH				
Date 12/08/2011	Rev Date 14/02/2012	Rev A	Drg No. 1200 Tank ShowerGA	
Sheet 1 of 1	A3	Scale 1:30	Weight	Do not scale drawing
PROPRIETARY AND CONFIDENTIAL				
THE INFORMATION CONTAINED IN THIS DRAWING IS THE SOLE PROPERTY OF SHOWERS & EYEBATHS SERVICES LTD. ANY REPRODUCTION IN PART OR AS A WHOLE WITHOUT THE WRITTEN PERMISSION OF SHOWERS & EYEBATHS SERVICES LTD IS PROHIBITED.				
Doc No. F 14 (A0)/Issue No. 1/Issue Date. 01/06/2007				

ATS ShieldSafe™
 COMPLY • PROTECT • INNOVATE

ALPINE TECHNICAL SERVICES
 Midvale, UT 84047
800.747.9953
 ATSShieldSafe.com